

# D/LG/KIR/N



## RSC SERIES -ROTARY SCREW AIR COMPRESSORS



### STANDARD EQUIPMENT

High quality components such as IP55 electric motors with the IE3 efficiency class, IP54 fan motors, star-delta motor starter system, electrical materials selected according to IEC, UL/cUL, CE standards as per the market requirements, high-efficiency screw blocks consuming less energy are provided as standard in all our products.



### SERVICEABILITY

Service-friendly design implemented using a layout that provides instant access to all consumable items, with quick-release protective covers and easy-to-use controllers minimizes downtime and reduces maintenance costs.



## SCREW BLOCK

Patented and durable screw block that provides high-capacity of air, and that is specially selected for each model's capacity requirement  
Production of air with less loss of air, thanks to the new rotor profiles, and lower torque requirements  
New generation bearing design with increased load carrying capabilities



## AIR OIL SEPARATOR

### Spin-on separator

Easy replacement, ease of assembly and disassembly  
Design that does not require a separator tank



## MAIN MOTOR AND DRIVE SYSTEM

High efficiency 400V/3 phase/50Hz, IE3 IP55 electric motors with F Class insulation  
Star delta motor starting system  
Easy of assembly and disassembly with bush pulleys on belt-pulley models  
Direct coupled model, long-lasting and efficient transfer system thanks to use of elastic couplings





## RSC SERIES Rotary Screw Air Compressors

Dalgakiran RSC series compressors are designed to meet the pressurized air requirements of rail system vehicles.



### GENERAL SPECIFICATION

- Long maintenance intervals and low maintenance costs
- Optional installation on the cars (on the car, inside the car or under the car)
- Quiet operation, low vibration
- Light and compact structure
- Reliable and durable
- Directly-coupled drive system
- CE Certified air tanks complying with SPVD (Simple Pressure Vessel Directive) and designed as per EN 286-3 standard

### MAIN MOTOR AND DRIVE SYSTEM

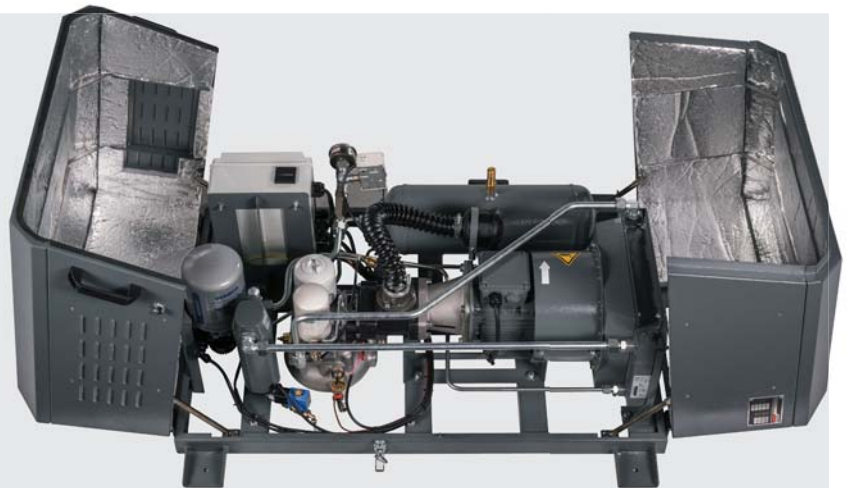
- Directly coupled with the elastic coupling

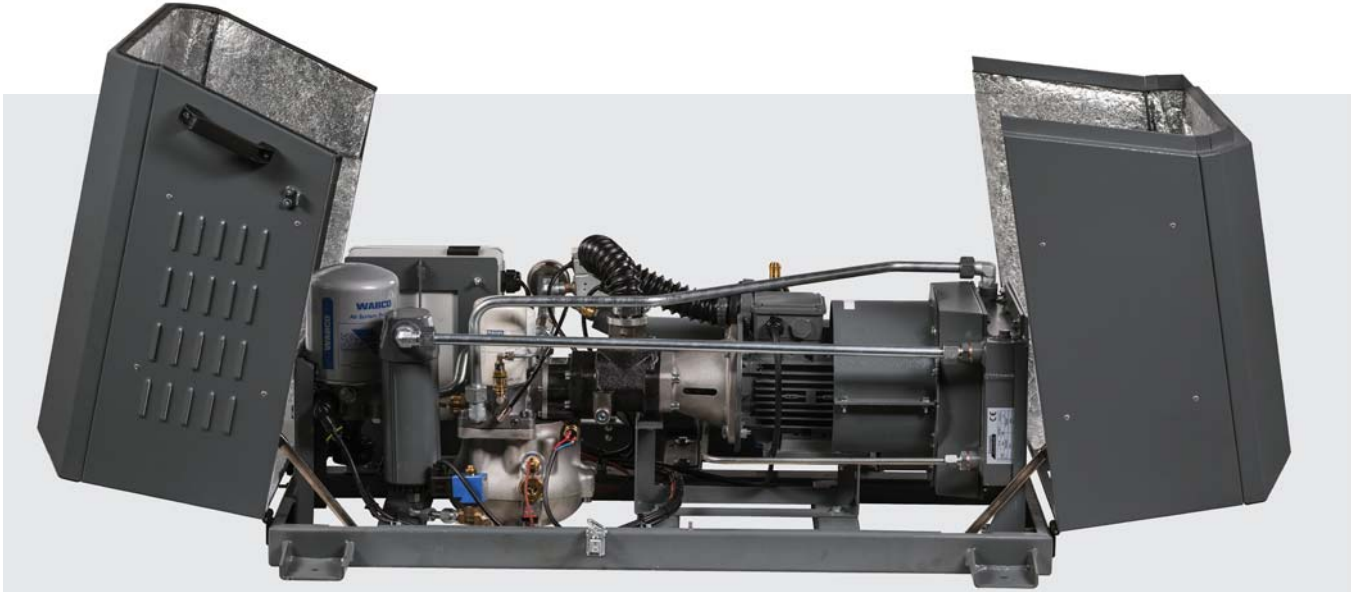
### COOLING SYSTEM

- Quiet and efficient axial fan directly connected to the main motor)

### SEPARATORS AND COMPACT AIR DRYER

- Cartridge type mechanical dryer that separates oil particles and aerosols
- Easy-to-detach spin-on type separator





### MULTI-BLOCK

- Oil separator filter
- Minimum pressure valve
- Thermostatic valve

### ELECTRICAL SYSTEM

- Compact distribution panel integrated to the body
- Simple and effective motor starting system
- 24 DC control system



## TECHNICAL DATA

MODEL	PRESSURE		CAPACITY		MOTOR SPEED	POWER OF MOTOR		AIR CONNECTION	DIMENSIONS mm			WEIGHT	NOISE LEVEL
	Bar	PSI	l/min	SCFM	rpm	kW	hp		Width	Length	Height	kg	dB(A)
RSC 4S	10	145	310	11	2950	3	4	1/2"	1100	886	485	125	67
TIDY 7D-M	7	100	650	23	2950	5,5	7	1/2"	1000	550	625	205	69
RSC 10	10	145	800	28	2950	7,5	10	1/2"	1328	940	540	235	69
RRC 2	8	115	130	4,6	690	1,1	1,5	1/2"	1100	886	485	115	72

1. These values are recorded under reference conditions of 1 bar absolute air pressure, 0% relative humidity, 20°C inlet air temperature, 83°C thermostatic valve set value and Smartoil usage. DALGAKIRAN reserves the right to make changes on its products without prior notice.
2. Refers to the free air flow measured in accordance with ISO 1217: 2009, Annex C standard.
3. Refers to the sound pressure level with a tolerance of  $\pm 3$  dB(A) measured in accordance with ISO 2151:2004 and ISO 9614/2 standards.

**DALGAKIRAN**